

1,269,397.

Patented June 11, 1918.
2 SHEETS—SHEET 1.

FIG. 1.

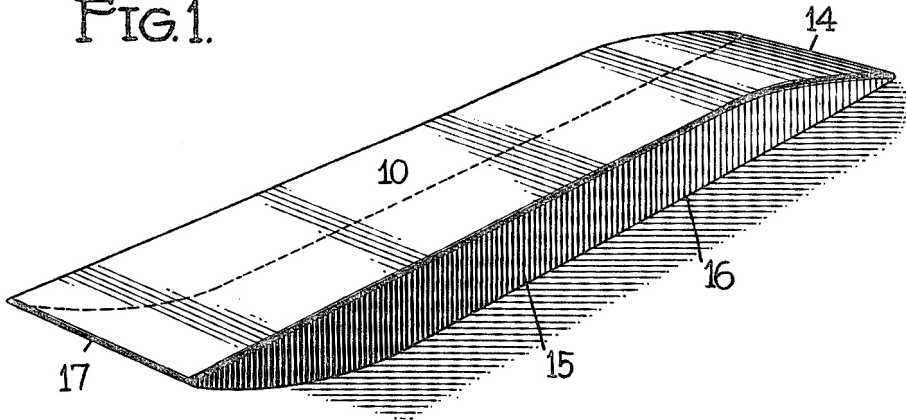
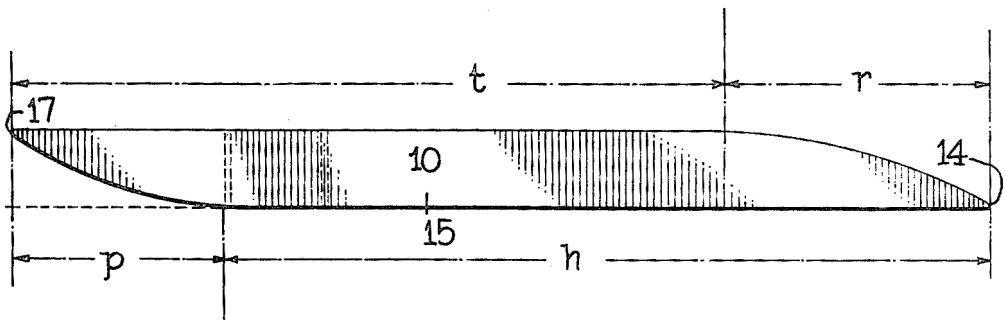


FIG. 2.



Inventor
GLENN H. CURTISS.

John P. Larby
Attorney

34